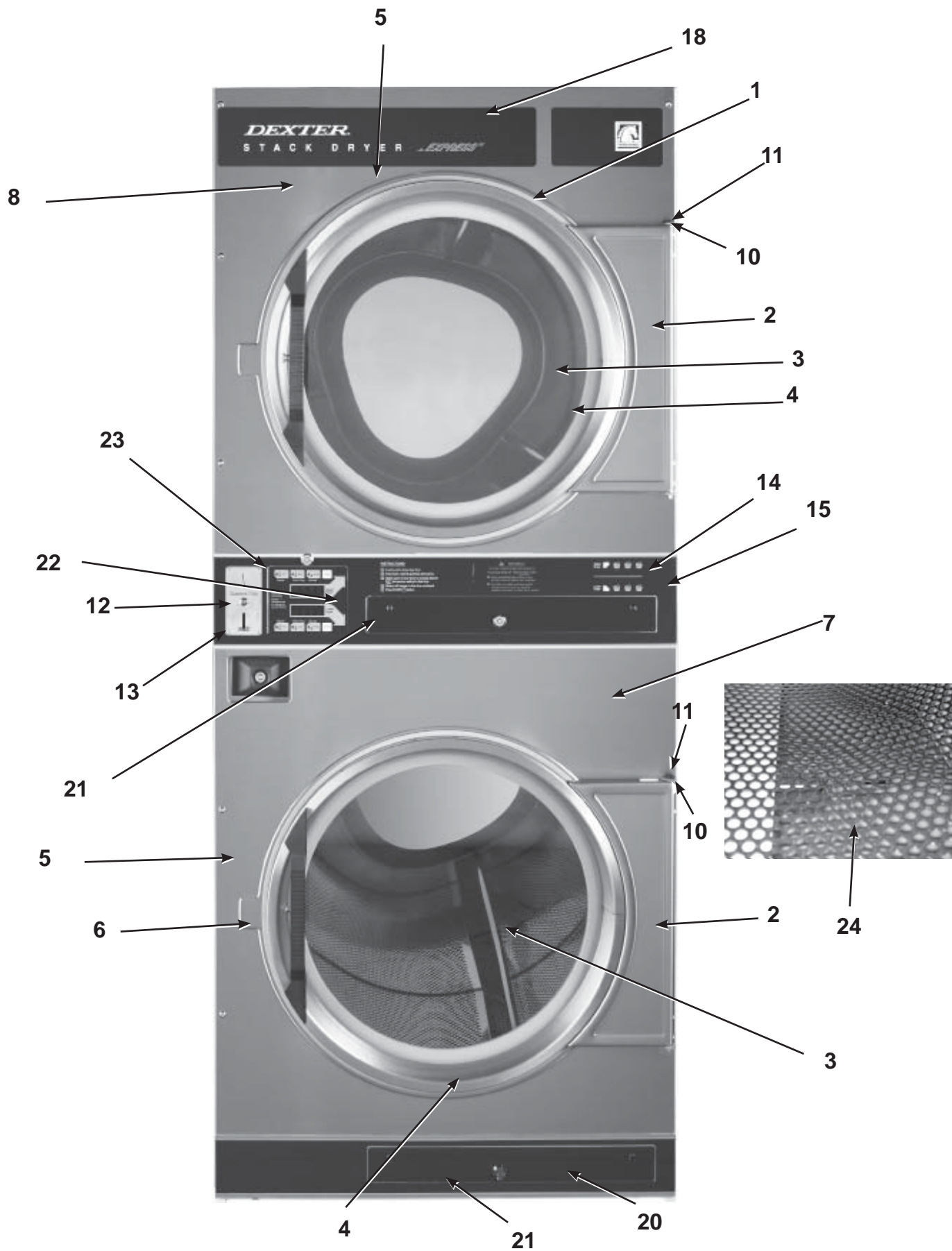




Section 6: Parts Data

DDAD30KC_-65



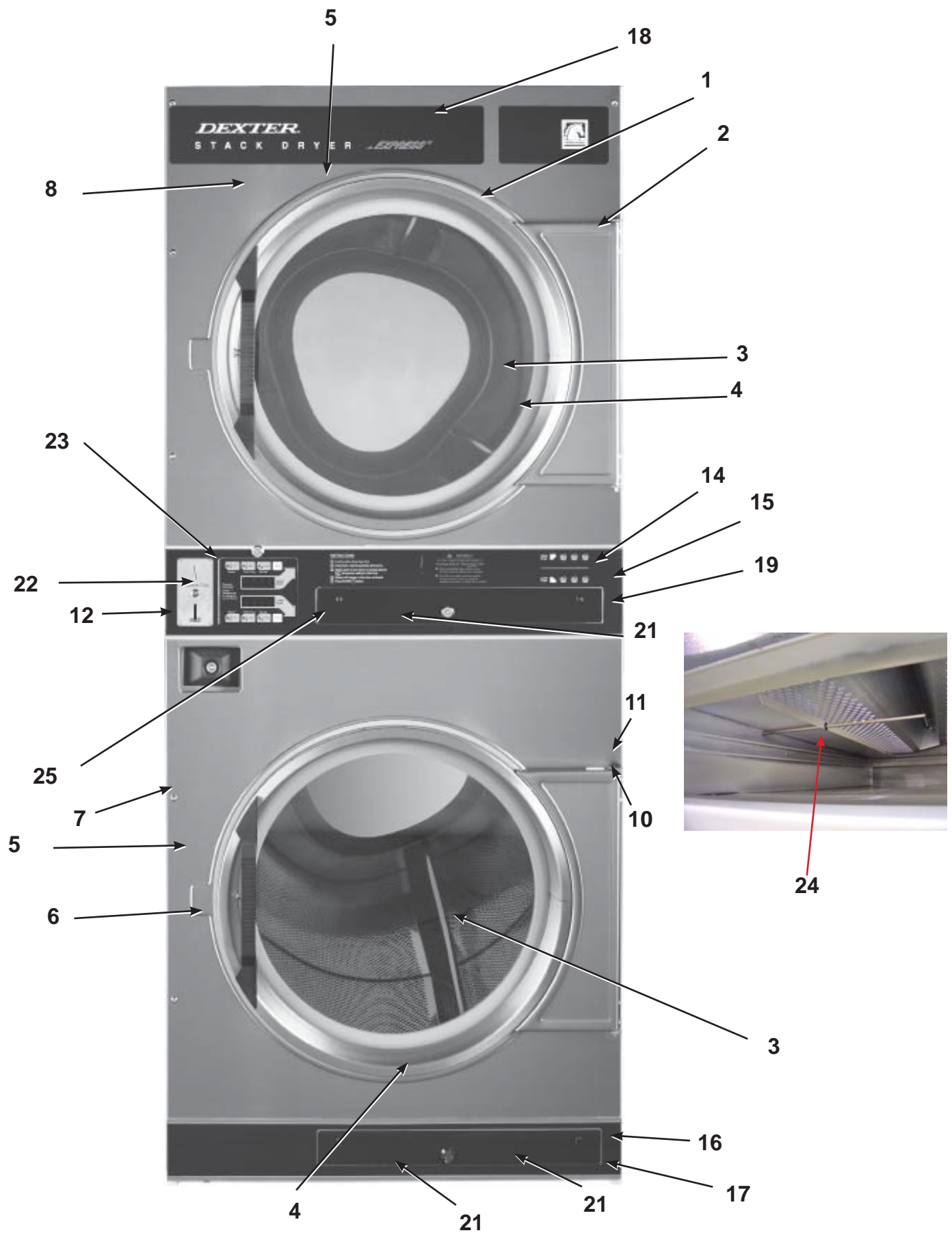
Parts Data

Cabinet Group

Key	Part Number	Description	Quantity
*	9960-256-033	Door Assy., Loading Complete-Alm	2
*	9960-256-032	Door Assy., Loading Complete-Wht	2
*	9960-256-034	Door Assy., Loading Complete-SS	2
*	9960-256-035	Door Assy., Loading Complete-Chrome SS/CHR/BLK	2
1	9960-255-008	Door Assy., Loading-SS(ring only)	2
1	9960-255-016	Door Assy., Loading-Chrome(ring only)	2
2	9982-280-215	Plate Assy., Hinge (Alm) No Pin	2
2	9982-280-014	Plate Assy., Hinge (Wht) No Pin	2
2	9982-280-012	Plate Assy., Hinge (SS) No Pin	2
*	9545-012-015	Screw, Hinge to Door	8
*	8640-413-002	Nut, Hinge to Door	8
3	9212-002-003	Glass, Door	2
4	9206-164-009	Gasket, Glass, Gray	2
4	9206-413-001	Gasket, Glass, Black	2
*	9548-117-000	Support, Door Glass	2
5	9206-420-002	Gasket, Outer Rim Gray	2
5	9206-420-003	Gasket, Outer Rim Black	2
6	9244-082-001	Handle, Loading Door	2
*	9545-018-017	Screw, Handle 1/4-20 x 3/8	2
*	9531-033-001	Stud, Door Catch	2
*	8640-413-001	Nut, Hex	2
*	8640-413-003	Nut, Acorn	2
*	9086-015-002	Catch, Loading Door	2
*	8638-190-009	Pop Rivet for mtg. catch	4
*	8641-582-006	Lockwasher	4
*	8640-399-001	Spring Nut	6
7	9989-516-009	Panel Assy., Front- Lower (Alm)	1
7	9989-516-008	Panel Assy., Front- Lower (Wht)	1
7	9989-516-007	Panel Assy., Front- Lower (SS)	1
7	9989-532-003	Panel Assy., Front- Lower (Wht) (LRG Vault From #222035)	1
7	9989-532-001	Panel Assy., Front- Lower (SS) (LRG Vault From #222035)	1
8	9989-516-003	Panel Assy., Front- Upper (Alm)	1
8	9989-516-002	Panel Assy., Front- Upper (Wht)	1
8	9989-516-001	Panel Assy., Front- Upper (SS)	1
*	9545-008-020	Screw, Torx HD 10 x 3/4	14
*	8541-582-019	Lockwasher	6
*	8640-399-001	Nut, Spring	12
10	9544-047-005	Strap, Hinge (Alm)	2
10	9544-047-002	Strap, Hinge (Wht)	2
10	9544-047-007	Strap, Hinge (SS/Gray)	2
10	9544-047-011	Strap, Hinge (Chrome/Black)	2
*	9345-008-020	Screw, Hinge to Panel	8
11	9545-052-001	Screw, Door to Hinge Strap (Special Black Type)	2
*	8641-436-003	Washer, Fiber	2
12	9021-001-010	Acceptor, Coin	1
*	9486-136-001	Retainer, Coin Acceptor	1
13	9545-053-002	Screw	4
*	9732-126-001	Switch (for coin acceptor with extra actuator)	1

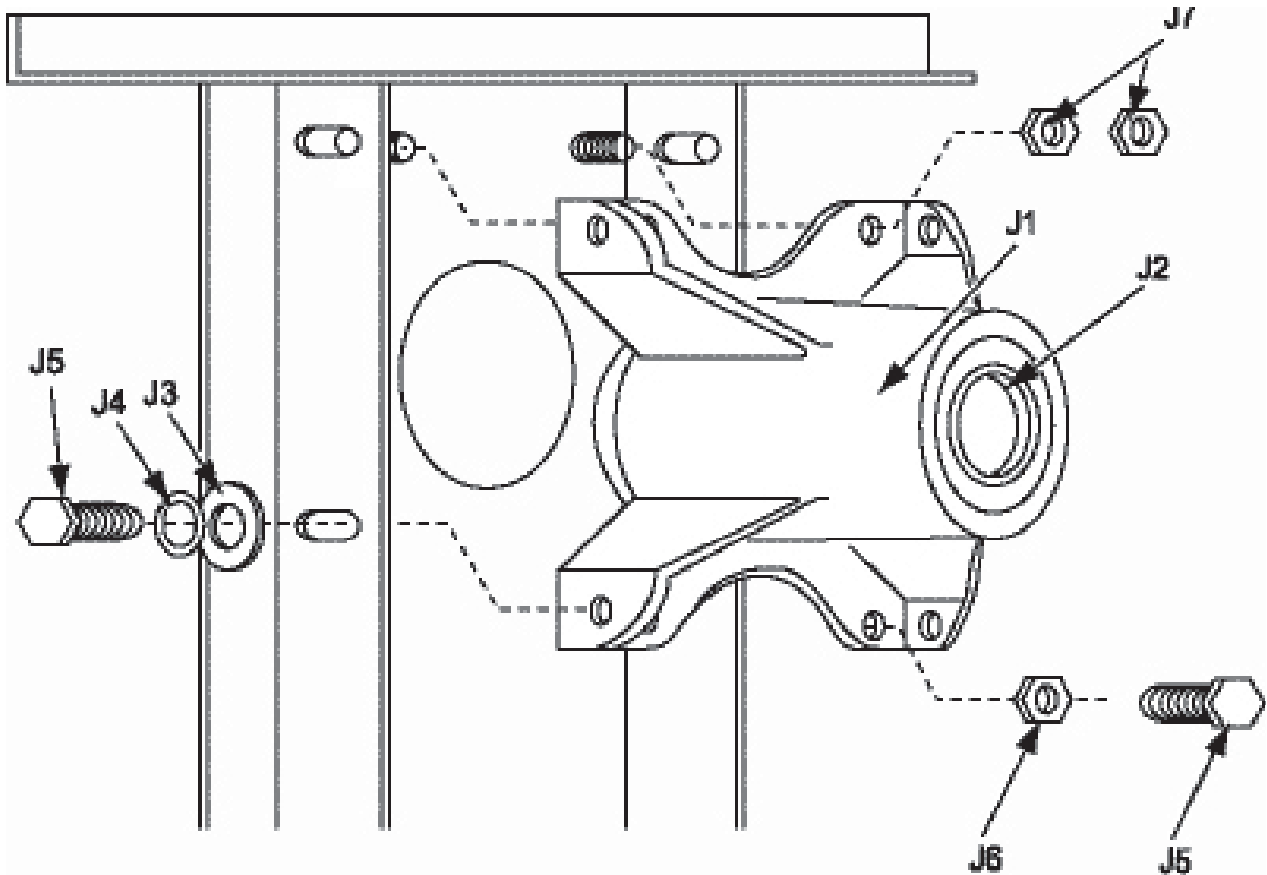
Cabinet Group Continued

Key	Part Number	Description	Quantity
14	9994-030-001	Escutcheon, Upper	1
15	9435-019-001	Trim, Overlay-Upper, Blue.....	1
15	9435-027-001	Trim, Overlay-Upper, Black	1
16	9994-031-001	Escutcheon, Lower	1
17	9435-020-001	Trim, Overlay-Lower, Blue.....	1
17	9435-028-001	Trim, Overlay-Lower, Black	1
18	9412-154-001	Nameplate Stack Dryer Express, Blue	1
18	9412-167-001	Nameplate Stack Dryer Express, Black	1
21	8650-012-004	Lock and Key, Lint Drawer #6101	2
22	9857-147-001	Controls Assy, Electronic Mounted With Membrane Switch, BLU. 1	1
22	9857-147-008	Controls Assy, Electronic Mounted With Membrane Switch, BLK. 1	1
22	9801-059-005	Membrane Switch Assy Blue	1
22	9801-100-001	Membrane Switch Assy Black.....	1
23	8650-012-003	Lock and Key, Control #6324	1
24	9501-004-003	Sensor Temp Control (before serial #200588).....	2
24	9501-006-001	Sensor Temp Control (serial #200588)	2
24	9486-137-002	Retainer - Push On (from serial #200588).....	2
24	9029-169-001	Bracket for Heat Sensor Mounting (Under Basket) before #200588	2
25	9866-004-001	Lint Drawer Assembly, Blue	2
25	9866-004-011	Lint Drawer Assembly, Black	2
25	9435-003-001	Overlay Trim, Lint Drwr- before #201252	1
25	9435-003-009	Overlay trim, lint dwr, after serial #201252, Blue.....	1
25	9435-029-001	Overlay trim, lint dwr, after serial #201252, Black.....	1
*	9545-020-009	Screw	10
*	9532-074-003	Felt Seal (back of lint screen assembly)	2
*	9805-029-002	Lint Screen Assembly ONLY (no front)	2
*	9555-057-002	Replaceable Lint Screen Only	2
*	6292-006-010	Key only #6101.....	2
*	9095-043-001	Cam, Lock Lint Drawer.....	2
*	9545-008-001	Lint Screen Strap Hold Down Screws 10Bx 1/4	32
*	9627-862-001	Harness, Electronic Control	1
*	9627-854-001	Harness Coin Sw	1
*	9095-041-001	Cam, Lock	1
*	6292-006-007	Key 6324 only for Computer	2
*	9627-855-001	Harness, Heat Sensor.....	1
*	9277-041-011	Insulation Cabinet Cover	1
*	9545-045-005	Screw, Round Head (Mounts sensor; phillips head) before #200588... 2	2
*	9545-008-024	Screw HX Head Tapping (Mounts bracket housing to dryer) before #200588...2	2
*	9209-037-002	Grommet, 3/16 ID	2
*	8544-006-001	Leg, Leveling 1/2"	4
*	9074-261-001	Cover, Cabinet (Top)	1
*	9732-253-001	DDAD Kit for Dryers without Neutral and using 208-240 volt.....	1
*	9732-102-011	LP Kit for DDAD Dryers	1
*	9732-243-001	Stack Dryer Trunion Puller	1
*	9555-057-003	Replaceable Lint Screen Fine Mesh Only.....	1
*	9277-053-001	Insulation-Front Panel-Top Half	2
*	9277-053-002	Insulation-Front Panel-Lower Half	2
*	8640-276-002	Wire Nut Connector Grey.....	4
*	9527-007-002	Standoff Wire Saddle	8
*	9544-041-002	Strap - Bead Tie.....	1



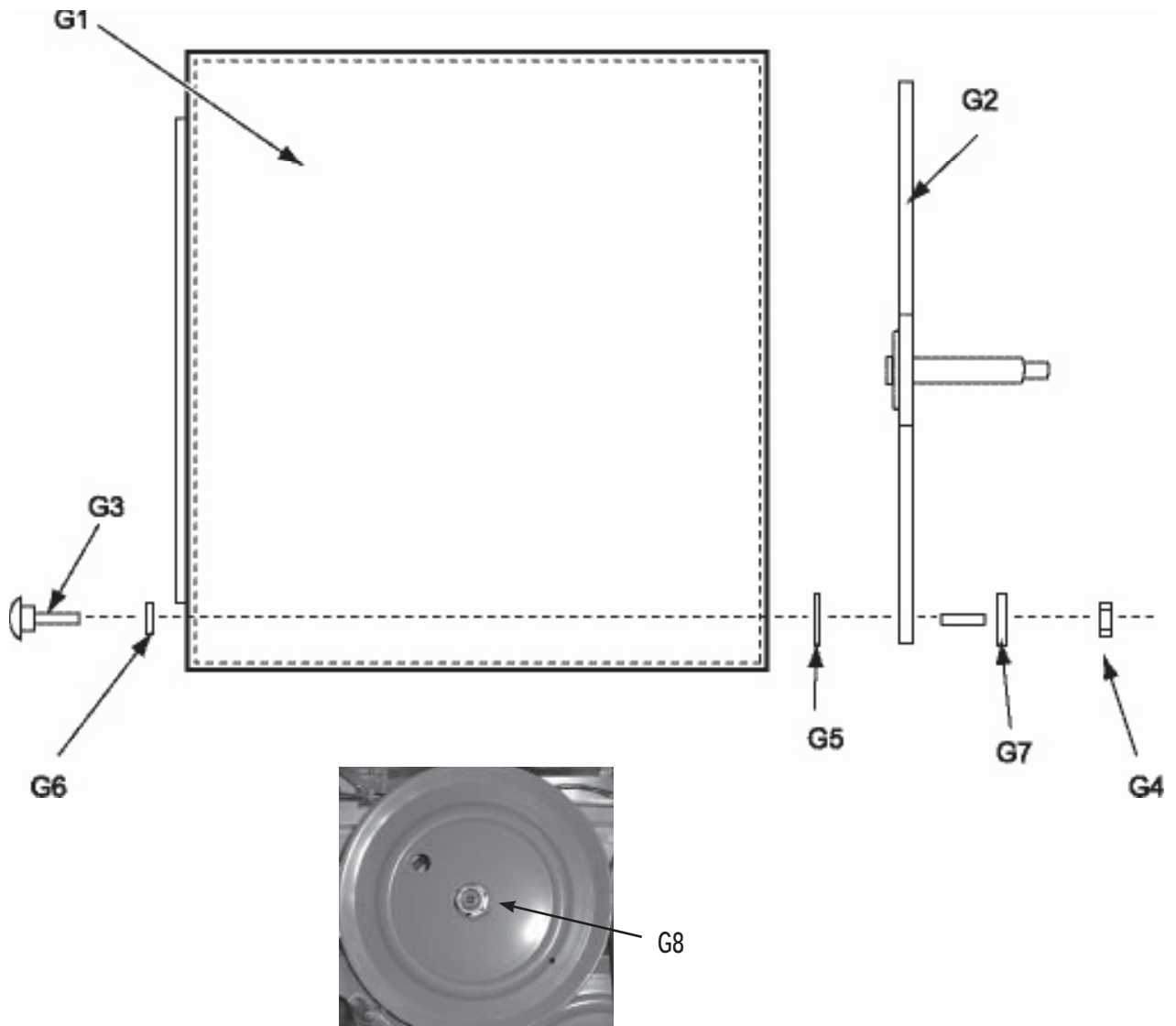
Bearing Housing Group Before Serial #226213

Key	Part Number	Description	Quantity
J1	9241-161-002	Housing, Bearing	2
J2	9036-130-001	Bearing, Ball	4
*	9538-139-002	Spacer, Bearing	2
J5	9545-049-001	Screw, 3/8 x 1.....	4
J6	8640-415-001	Nut, 3/8.....	4
J7	8640-400-002	Nut, 5/16.....	8
*	9803-160-003	Bearing Housing Complete Ass'y (includes bearings,spacer)	2
J4	9545-049-002	Screw 3/8 x 3/4.....	8



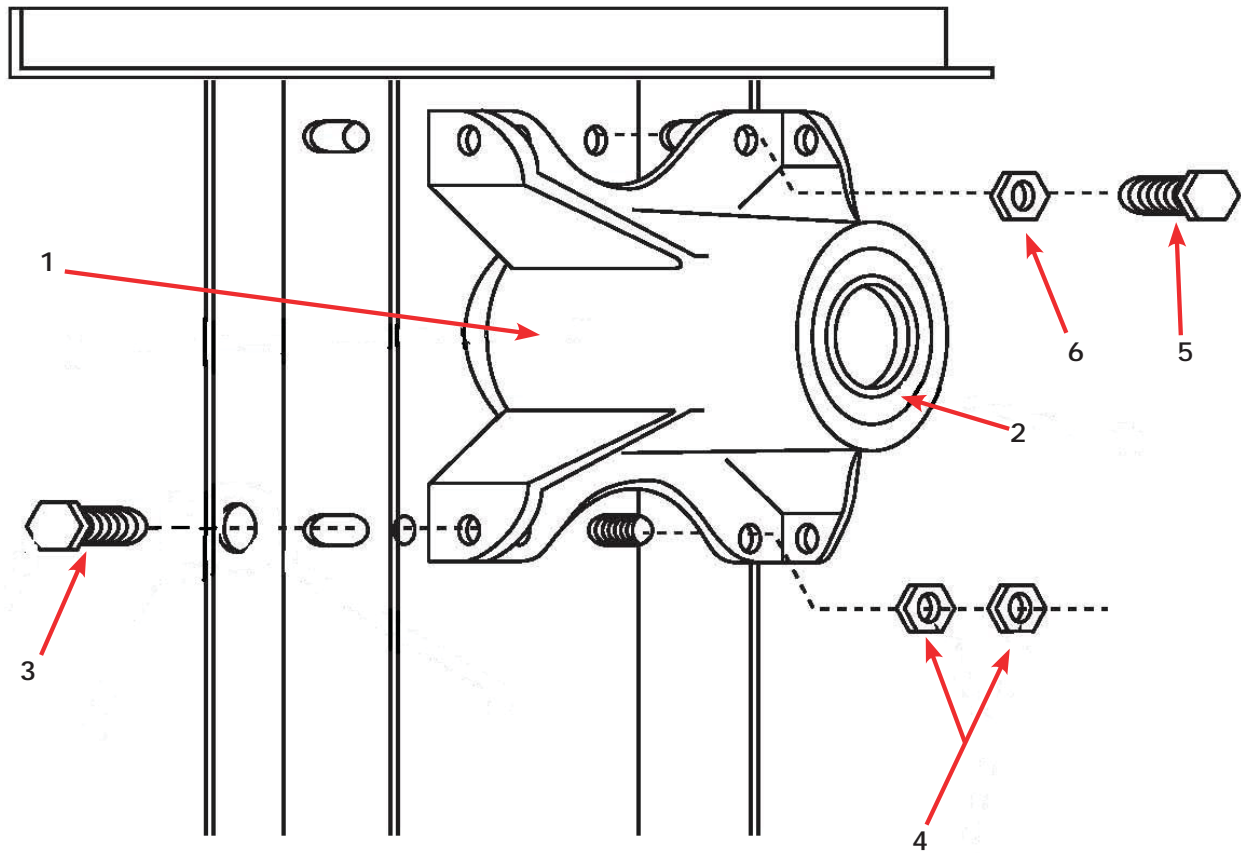
Tumbler Group Before Serial # 226213

Key	Part Number	Description	Quantity
*	9848-127-001	Tumbler Assembly Galvanized w/ Spider.....	2
*	9848-127-002	Tumbler Assembly Stainless w/ Spider.....	2
G2	9568-011-001	Spider Assembly	2
G3	9497-019-003	Rod, Tumbler	6
G4	8640-415-004	Nut-Tumbler Rod, 3/8" - 16.....	6
G6	8641-554-001	Washer, Special	6
G7	9552-013-000	Shim	AR
*	9848-126-002	Tumbler Assembly Stainless Steel Only	2
*	9848-126-001	Tumber Assembly Galvanized Only	2
G8	8640-222-000	Nut, Tumbler Shaft	1



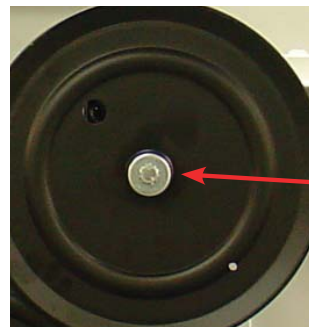
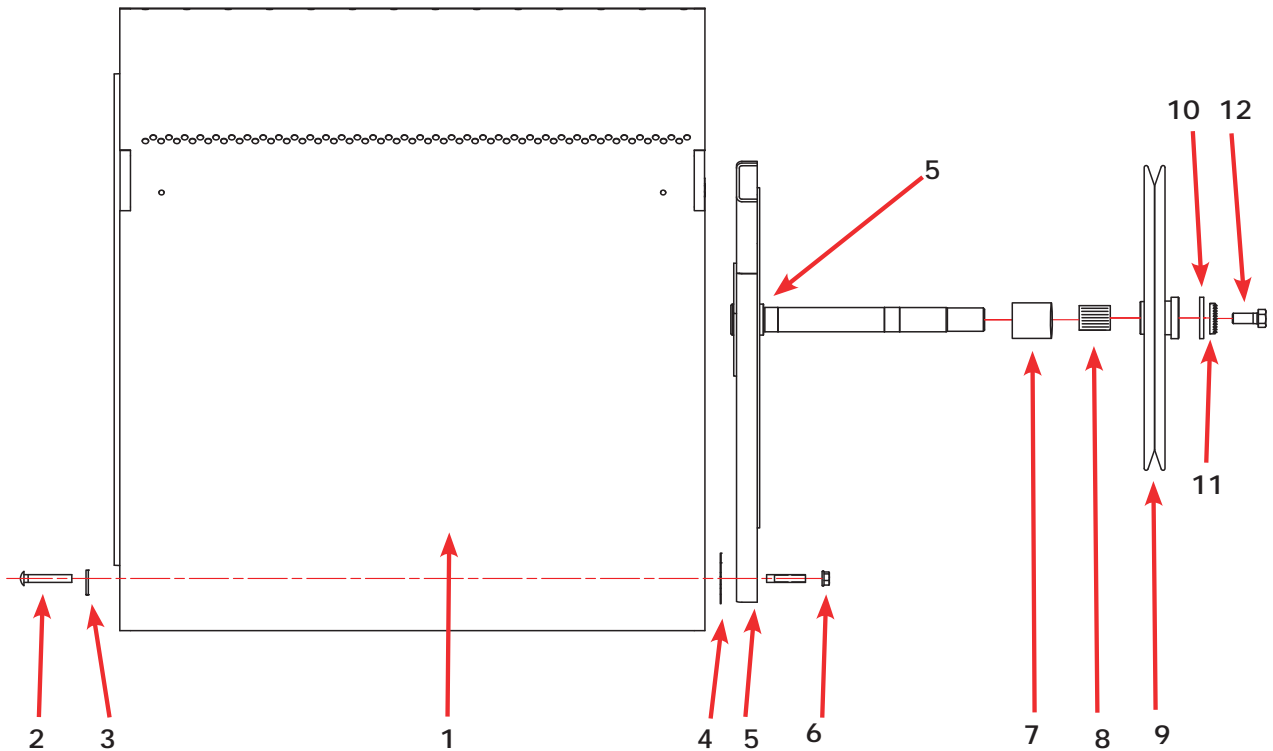
Bearing Housing Group After Serial #226213

Key	Part Number	Description	Quantity
*	9803-160-003	Bearing Housing Complete Assy (Includes bearings & Spacer)	1
1	9241-161-002	Housing, Bearing.....	1
*	9036-130-001	Bearing, Ball, Front.....	1
*	9538-139-002	Spacer, Bearing.....	1
2	9036-130-001	Bearing, Ball, Rear	1
3	9545-049-002	Screw-Wizlock, 3/8-24x3/4.....	4
4	8640-400-002	Nut, 5/16-18.....	4
5	9545-049-001	Screw, 3/8-24x1.....	2
6	8640-415-002	Nut, 3/8-24.....	2
*	9538-139-002	Shim, Tumbler	AR



Tumbler Group After Serial #226213

Key	Part Number	Description	Quantity
*	9848-142-001	Tumbler Assy Complete W/Spider (GALV).....	1
*	9848-142-002	Tumbler Assy Complete W/Spider (SS & Galv front)	1
1	9848-126-001	Tumbler Assy (Galvanized).....	1
1	9848-126-002	Tumbler Assy (Stainless Galvanized front).....	1
2	9497-019-003	Rod, Tumbler.....	3
3	8641-554-001	Washer, Special.....	3
4	9552-013-000	Shim	AR
5	9568-015-001	Spider Assy	1
6	8640-415-004	Nut, Wiz Lock	3
7	9538-164-001	Spacer-Shaft	1
8	9487-234-005	Tolerance Ring	1
9	9908-049-002	Pulley, Driven	1
10	8641-581-026	Washer -Flat.....	1
11	8641-582-016	LockWasher - IntTooth, 1"	1
12	9545-017-009	Screw, 1/2-13x1 1/4.....	1

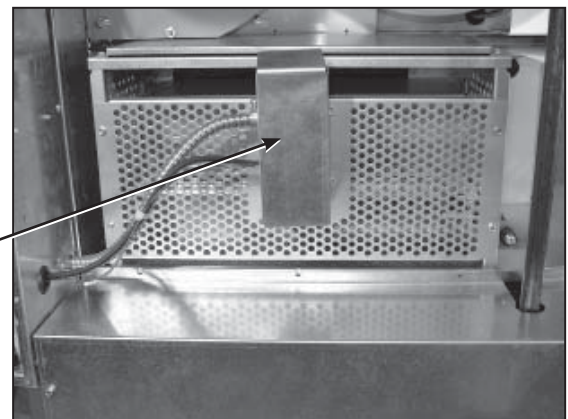
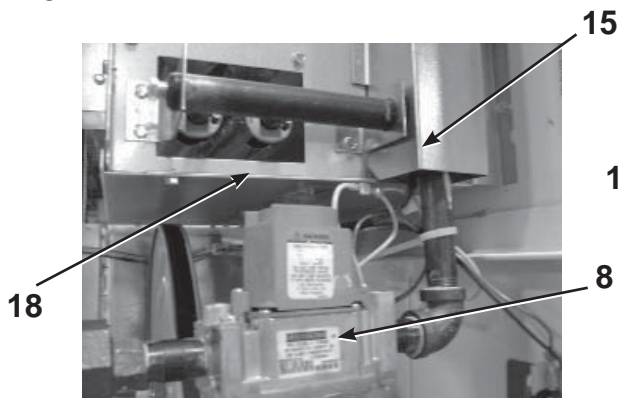
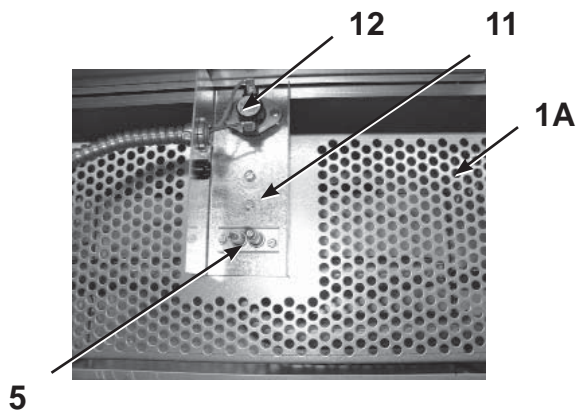
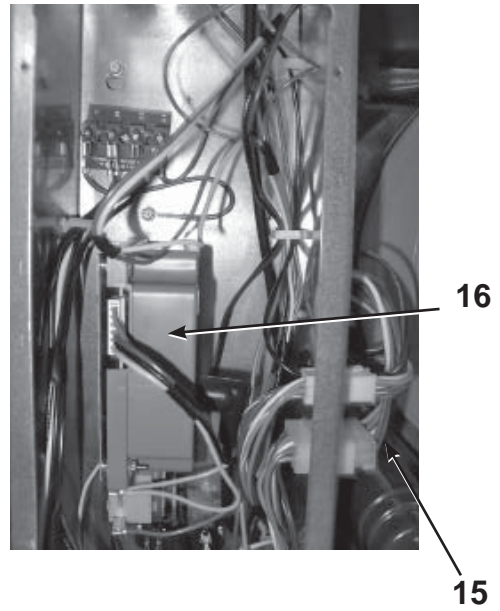
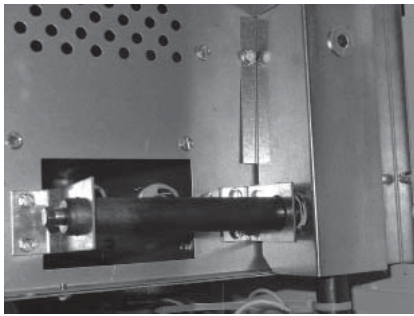
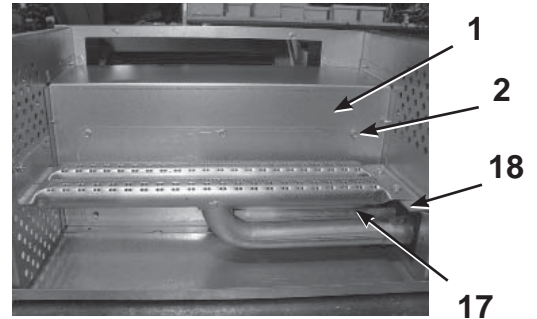
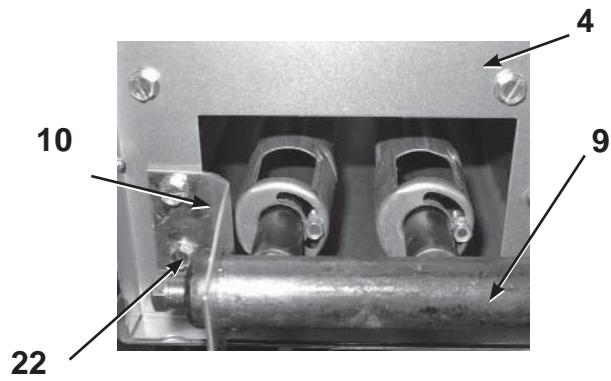


Burner Housing Group

Key	Part Number	Description	Quantity
1a	9452-730-001	Service Burner Plate Front.....	2
1	9452-729-001	Service Plate baffle Recirculation Chamber Clean Out.....	2
2	9545-008-001	Screw	16
18	9003-220-001	Angle, Burner Support	2
17	9048-020-001	Burner, Main	4
4	9545-008-001	Screw 10B x1/4"	8
5	9875-002-003	Electrode Assy, Ignition	2
19	9545-045-001	Screw, Electrode Mtg 8B x 1/4".....	4
7	9379-186-001	Valve, Gas Shut Off	1
8	9857-134-001	Control Assy, Gas	2
9	9381-009-006	Manifold, Assy	2
10	9029-047-001	Bracket, Manifold	2
22	8615-104-038	Pipe Plug in end of Burner Manifold	2
11	9452-749-001	Plate Assy, Hi-Limit Stat Ignitor	2
12	9576-203-002	Thermostat, Hi-Limit	2
13	9074-315-001	Cover, Hi-Limit Stat Ignitor.....	2
15	9825-058-001	Cover, Safety Stat	2
16	9857-116-003	Control, Ignition Fenwall (3 trybox)	2
*	9803-199-001	Housing Assembly, Burner	2
*	9545-008-006	Screws	8
*	9545-008-006	Screw	4
*	9545-008-006	Screw 10AB x 3/8"	4
*	9454-796-001	Panel, Back Burner Housing.....	2
*	9425-069-023	Orifice, Burner-Natural #125	4
*	9425-069-024	Orifice, Burner-LP #49	4
*	9039-915-001	Bracket, Gas Control	2
*	9545-008-006	Screw	4
*	9538-142-001	Spacer, Hi-Limit	4
*	9545-045-007	Screw 8B x 3/4".....	4
*	9545-008-006	Screw	6
*	9576-207-008	Thermostat, Safety Shutoff	2
*	9545-008-006	Screw	4
*	9545-008-006	Screw	4
*	9550-173-001	Shield, Burner Inlet	1
*	9732-102-011	Kit, LP Conversion DDAD Kit	2
*	8515-104-037 ^	Elbow 90 Black.....	4
*	8665-073-040	Nipple 1/2" x 2 Black	2
*	8665-073-044 ^	Nipple 1/2" x 4 1/2" Black.....	2
*	8615-104-035 ^	Union 1/2" Black.....	2
*	9458-020-002 ^	Pipe Black	1
*	8615-104-034 ^	Tee 1/2" x 1/2" x 1/2" Long Black	2
*	9838-018-001 ^	Welded One Piece Gas Pipe Assembly (Used After 9/07)	
*	9381-012-001 ^	Manifold Assembly 2 Port One Piece (Used After 9/07)	

^ Models built before 9/07

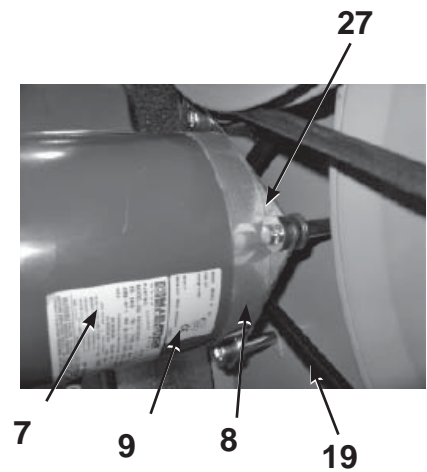
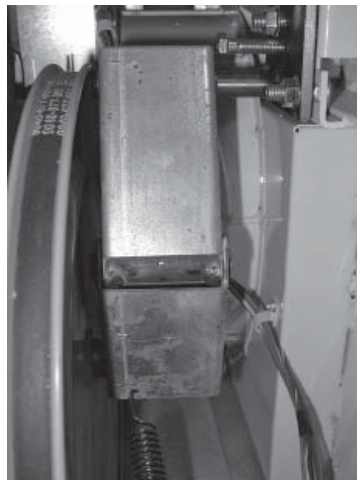
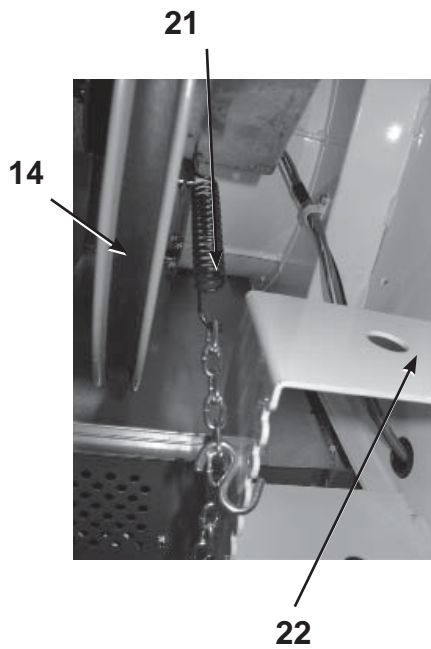
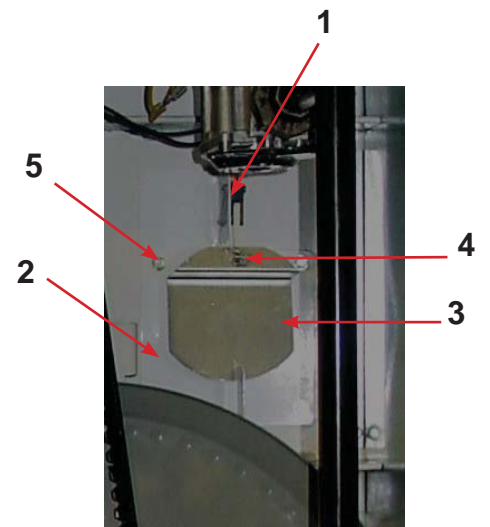
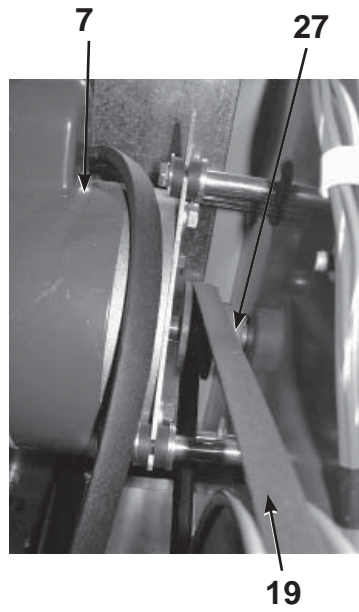
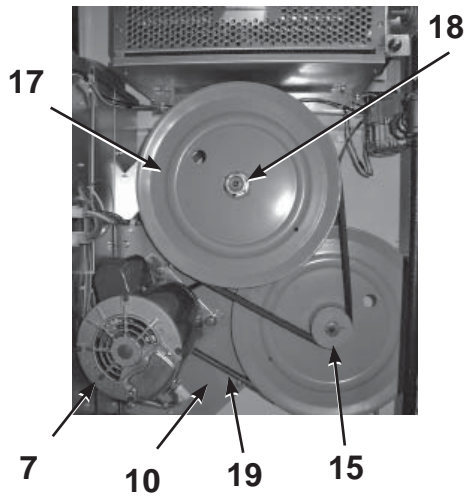
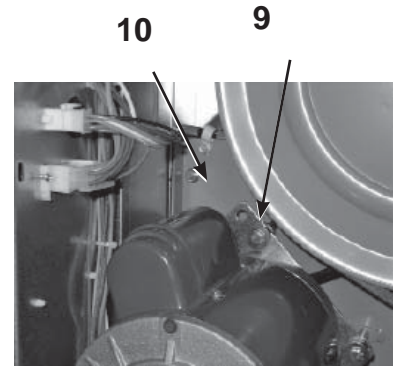
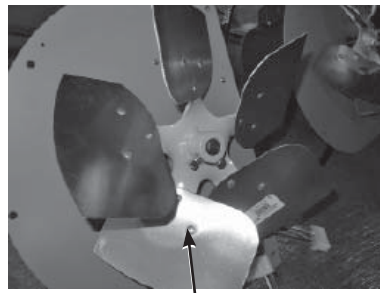
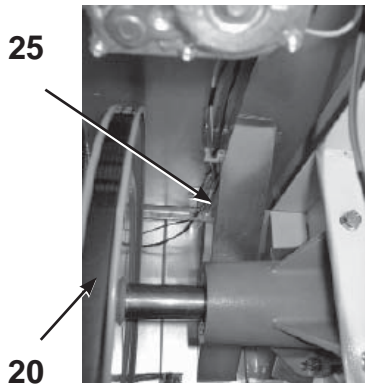
Burner Housing Group Photos



Rear View

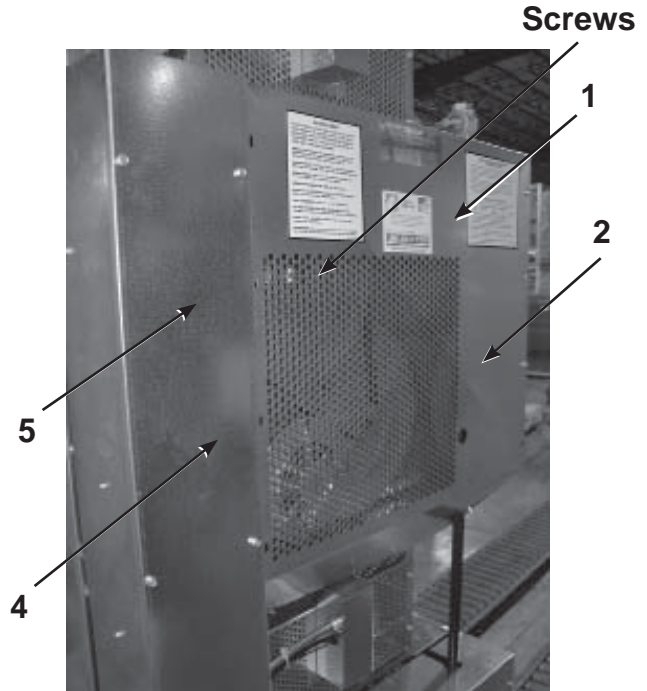
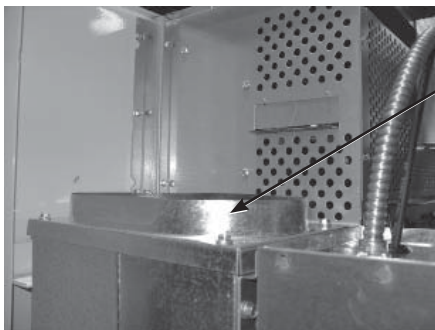
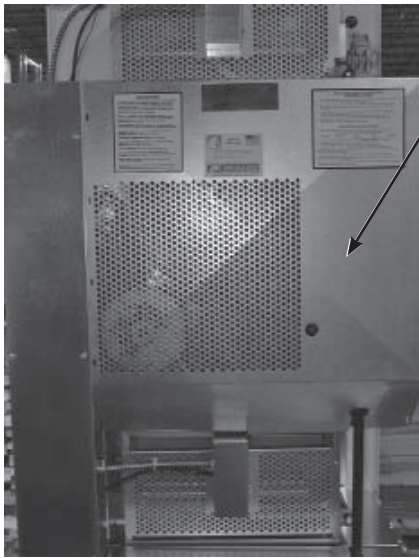
Key	Part Number	Description	Quantity
*	9627-861-001	Wire Harness Overttemperature Switch	2
*	9801-095-001	Switch Assy, Air Flow	2
1	9539-461-009	Switch, Air Flow.....	2
2	9029-174-001	Bracket, Switch- Air Flow	2
3	9008-007-001	Actuator, Switch	2
4	9451-169-002	Pin, Cotter	2
5	9545-020-001	Screw 4-40 x 5/8".....	4
*	8640-401-001	Nut, Special Twin #4-40.....	2
*	9550-169-003	Shield, Switch.....	2
*	9545-008-001	Screw 10 Bx 1/4"	6
7	9376-309-003	Motor, Drive.....	2
8	9452-740-001	Plate, Motor Mtg.....	2
*	9545-029-008	Bolt 3/8" - 16 x 3/4".....	8
*	8641-582-003	Lockwash Spring 3/8.....	8
9	9545-018-019	Screw, Motor Plate to Back Assy. 1/4-20x 2 1/2	8
9	86411-582-007	Lockwasher 1/4	8
9	9538-,163-006	Spacer.....	8
9	8641-581-017	Flat Washer 1/4 x 7/8.....	
24			
9	9209-086-002	Rubber Grommet	8
*	9538-166-006	Grommet Spacers.....	8
27	9453-157-001	Pulley, Motor	2
*	9545-028-013	Screw, Set	4
10	9962-017-002	Back Assy, Blower Hsg	2
26	9278-039-001	Impeller, W/Set Screws	2
11	9991-053-001	SupportAssy, Intermed. Pulley	2
12	9545-029-010	Bolt, Rd Hd 3/8-16 x 1 1/4	6
13	9545-029-003	Bolt, 3/8-16 x 1 1/2	2
12	8640-415-004	Nut Flange Wiziock 3/8" - 16.....	6
12	8641-581-035	Washer, Flat	6
14	9861-022-001	Arm Assy-Tension, Complete.....	2
*	8641-581-035	Washer, Flat	2
15	9487-200-003	Ring-Retaining	6
16	9908-039-004	Pulley Assy, Intermediate with bronze flange bearing	2
*	9036-145-002	Bearing - Bronze Flange	4
17	9908-040-001	Pulley Driven (Before Serial # 226213)	2
17	9908-049-002	Pulley Driven (After Serial # 226213) see Tumbler group	2
*	9538-164-001	Spacer, Shaft	2
*	9306-006-000	Key, Tumbler Shaft Woodruff	2
18	8640-222-000	Nut, Hex 1"-14	2
18	86A1-582-015	Washer, Lock	2
19	9040-077-001	Belt, Drive- Motor	2
20	9040-073-009	Belt, Drive- Tumbler	2
21	9534-319-002	Spring, Tension	2
22	9099-012-002	Chain, Tension	2
23	9248-,022-002	Hook, Tension	2
*	9125-005-001	Damper Inside Duct Exhaust	2
24	9451-146-001	Pin, Damper Hinge.....	2
*	8520-141-000	Nut, Spring	4
*	9545-008-026	Screw #10B x 1/2	6
25	9825-059-001	Cover Duct Upper	1
*	9074-314-001	Cover Duct Lower	1
*	9545-008-024	Screw 10ABx 3/8"	
80			
25	9973-030-001	Heat Recirculation Assembly Duct.....	2
27	9453-157-001	Motor Pulley - Driver	1
*	9029-173-001	Bracket for Wire Harness Under Burner Housing.....	2

Rear View Photos



Rear Panel & Cover Group

Key	Part Number	Description	Quantity
1	9208-075-001	Back Drive Guard Panel before serial#200860	2
1	9208-083-001	Back Drive Guard Panel after serial#200860	2
2	9208-076-001	Back Side Guard Panel Ass'y	2
3	9074-261-001	Cabinet (TOP COVER)	1
*	8544-006-001	Legs Leveling	4
4	9074-317-001	Electric Box Cover Screws Only	6
5	9545-008-024	Screws 10 AB x 3/8.....	4
6	9577-062-001	Top Duct w/ Oval.....	1
6	9109-113-001	Top Duct w/ Round.....	1
4	9108-117-001	Electric Box Cover w/ Hinge.....	1
*	9074-319-001	Lower Duct Cover / Board.....	1



Screws

Door Switch Group

Part Number
9539-487-001

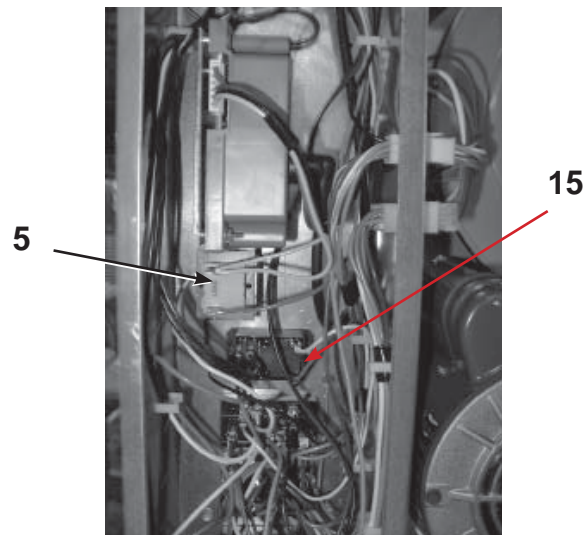
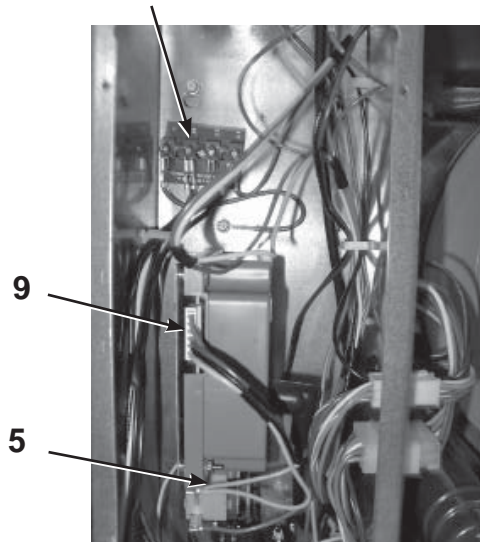
Description
Door Switches2

Quantity

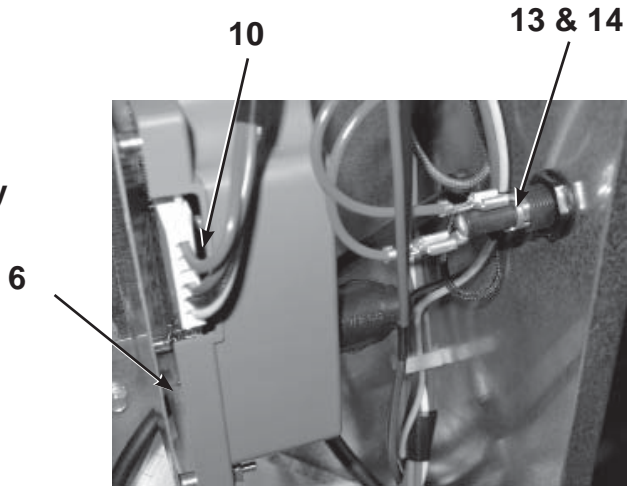
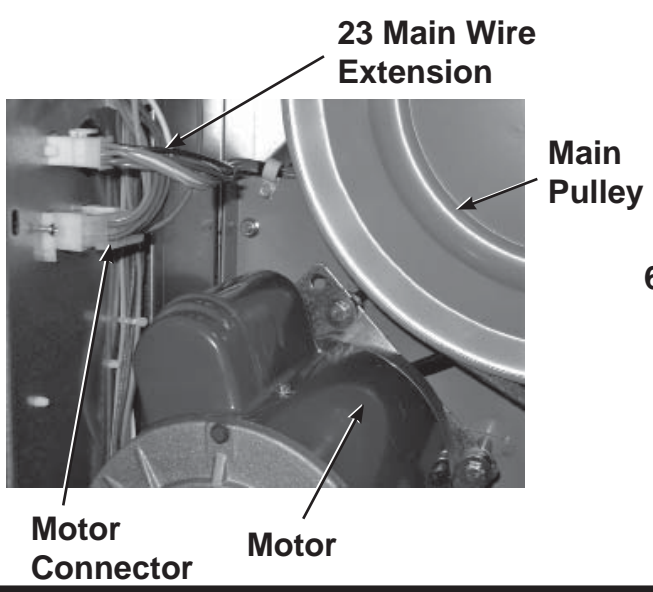
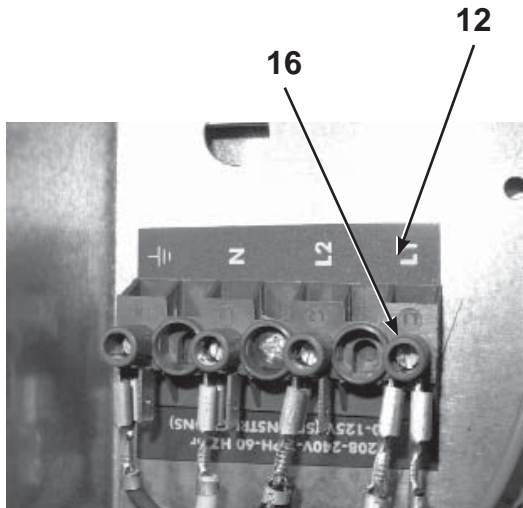
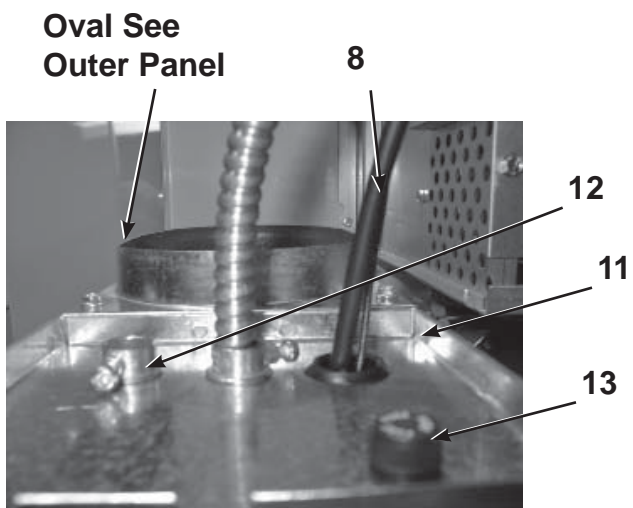
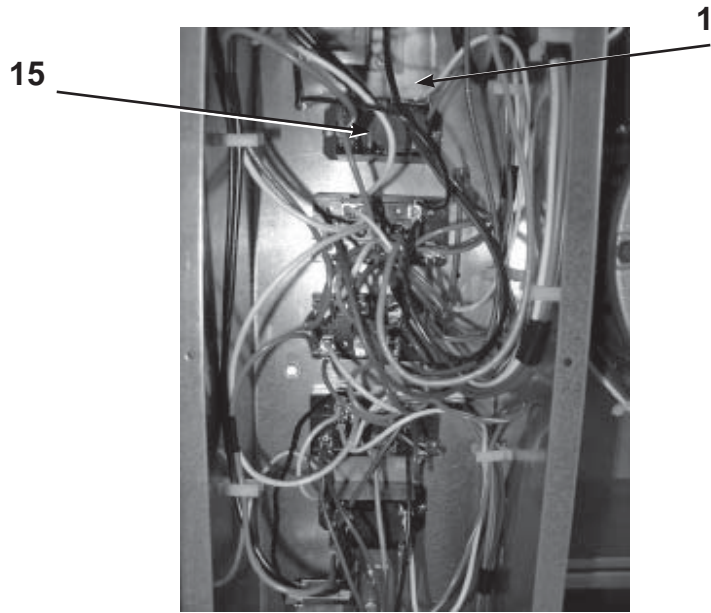


Control Assembly Group

Key	Part Number	Description	Quantity
1	9074-317-001	Control Box Cover	1
2	8220-001-478	Wire Assembly Green 7"	1
3	9897-026-002	Terminal Block Main Power Middle	1
4	9897-026-001	Terminal Block	2
5	8711-011-001	Transformer Ignition.....	2
6	9982-348-001	Plate Assembly MTG Ignition Control.....	2
7	9857-116-003	Ignition Control	2
8	9631-403-007	Wire Assembly High Voltage Upper	1
9	9627-860-001	Wire Harness Ignition Control Upper.....	1
10	9627-860-002	Wire Harness Ignition Control Lower.....	1
11	9053-067-002	Bushing Wire 7/8"	4
12	8653-068-003	Connector Conduit 3/8" STR	1
13	9200-001-002	Fuseholder Assembly	3
14	8636-018-001	Fuse 1.5 Amp.....	3
15	5192-298-001	Relay Power (before Serial # 217612)	2
15	5192-299-001	Relay Power (after Serial # 217612)	2
16	9897-036-002	Terminal Block Assembly Main Power Inlet.....	1
17	8220-062-036	Wire Assembly Red/Black 14"	1
18	8220-062-037	Wire Assembly Red/White 14".....	1
19	8220-062-038	Wire Assembly White 14"	2
20	9627-859-001	Wire Harness - Power Main.....	1
21	9627-864-001	Wire Harness Motor Extension.....	2
22	9558-031-001	Strip Terminal Marker (Behind Input Power) to above #3.....	1
*	9857-169-001	Control Assmbly Complete (all below included)	1
*	8639-621-007	Screw # 10-32 x 12 Green.....	1
*	8641-582-006	Lockwasher Ext Tooth #10	1
*	9545-045-012	Screw #8 ABx1 2 for terminal block.....	6
*	9545-008-024	Screws 10AB x 3/8"	4
*	9545-008-001	Screws 10B x 1/4" MTG Above Plate	4
*	8640-411-003	#6-32 Screws	4
*	9631-403-006	Wire Assembly High Voltage Lower	1
*	9545-045-012	Screws Power #8 AB x 1/2"	4
*	9545-045-012	Screw #8 AB x 1/2"	1
*	9527-007-001	Stand Off - Wire Saddle / Arrowhead.....	5
*	9545-031-005	Screw 6 B x 3/8"	4
*	16 9627-863-001	Wire Harness Main Extension Access Under Burner Housing	1



Control Assembly Group

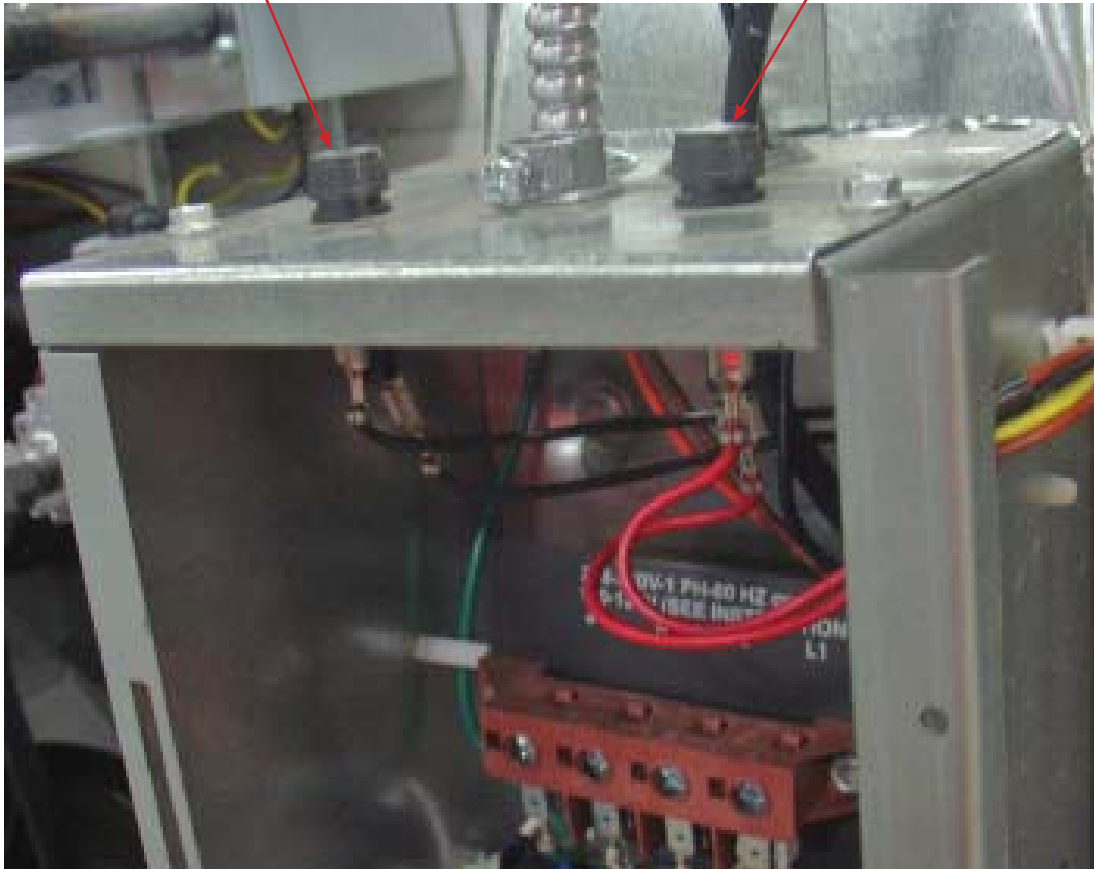


Control Assembly Group Change w/control Protection Fuse (after Serial # 211750)

13	9200-001-002	Fuseholder Assembly	3
14	8636-018-001	Fuse 1.5 Amp.....	3

Control Protection Fuse

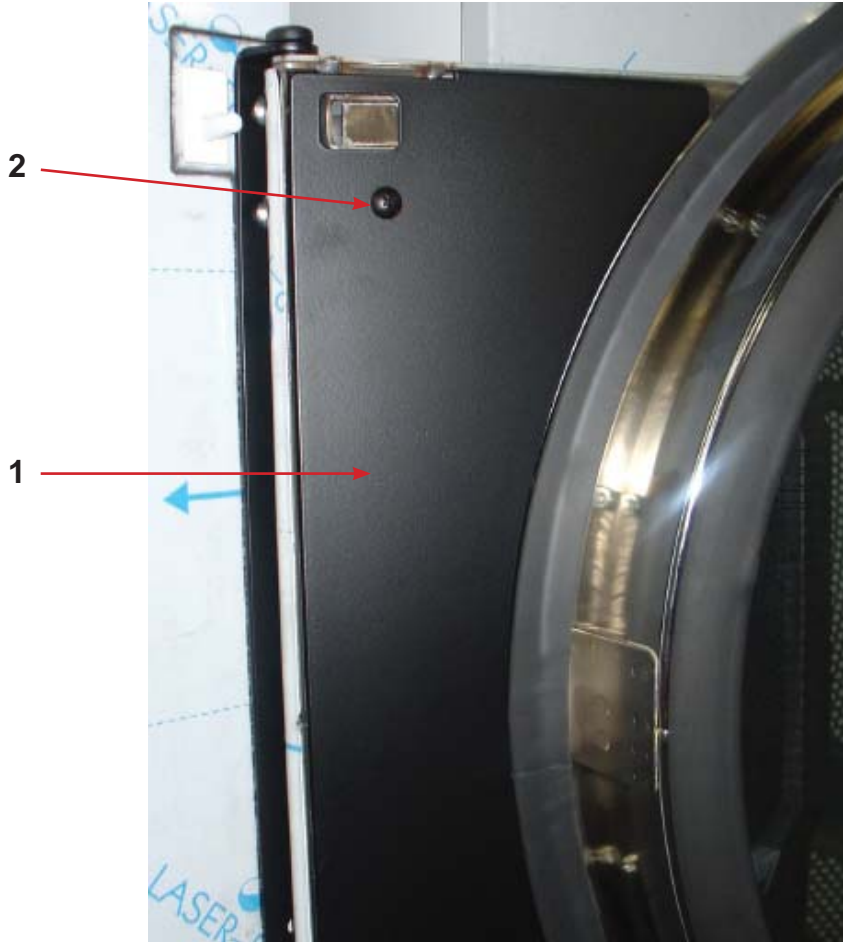
24VAC Ignition Upper Pocket
Protection Fuse



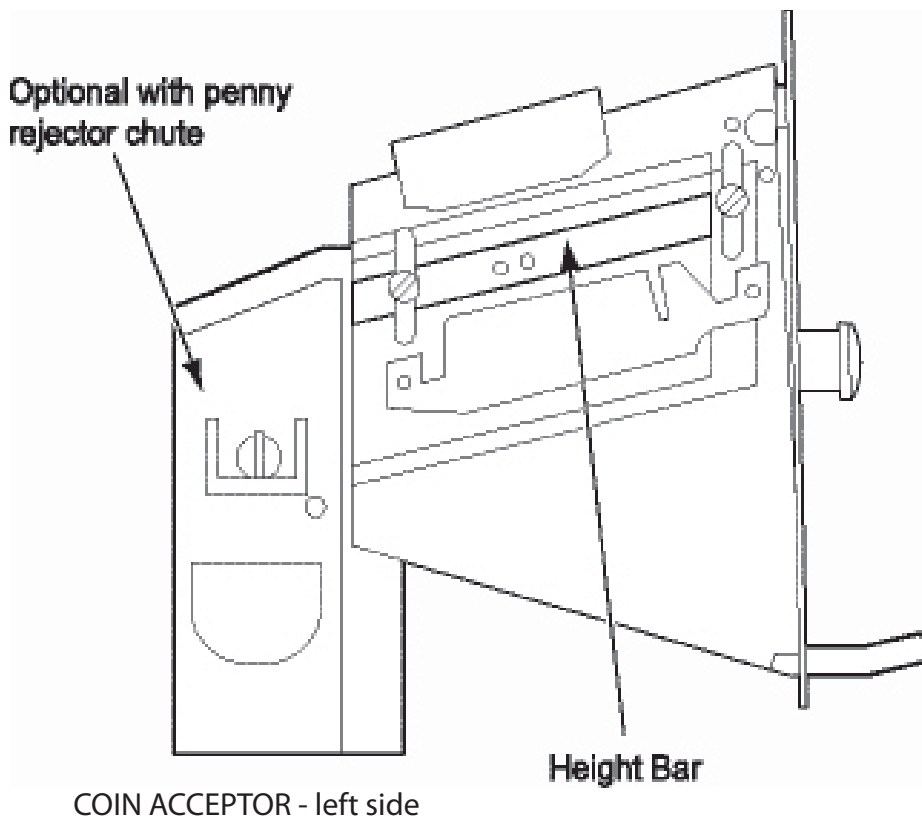
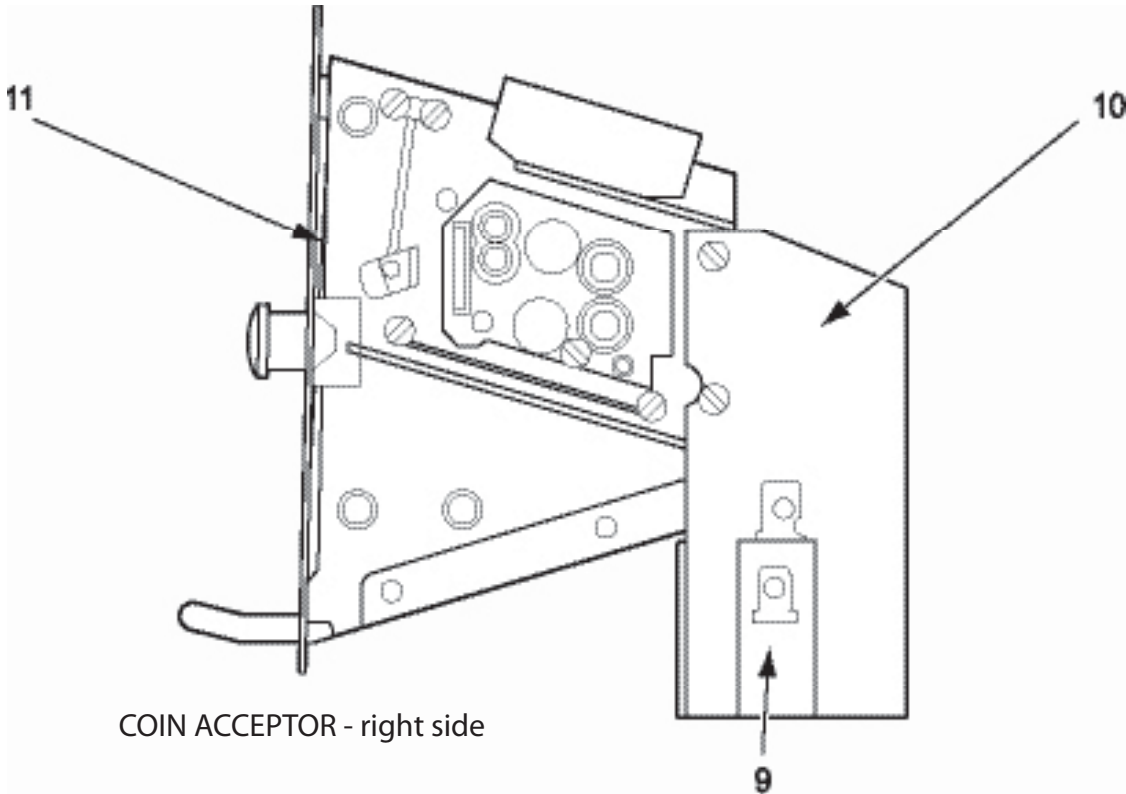
Not Shown:
24VAC Ignition Lower Pocket
Protection Fuse

Hinge Plate Cover (after Serial # 220625)

- | | | | |
|---|--------------|--|---|
| 1 | 9074-341-002 | Cover-Hinge, Black..... | 2 |
| | | Note: Before Serial # 220625 Holes can be drilled in hinge plate to install (#18 Drill bit). | |
| 2 | 8636-018-001 | Screw-TRHDCR, 10B x 3/8, Black..... | 4 |



Coin Handling Group

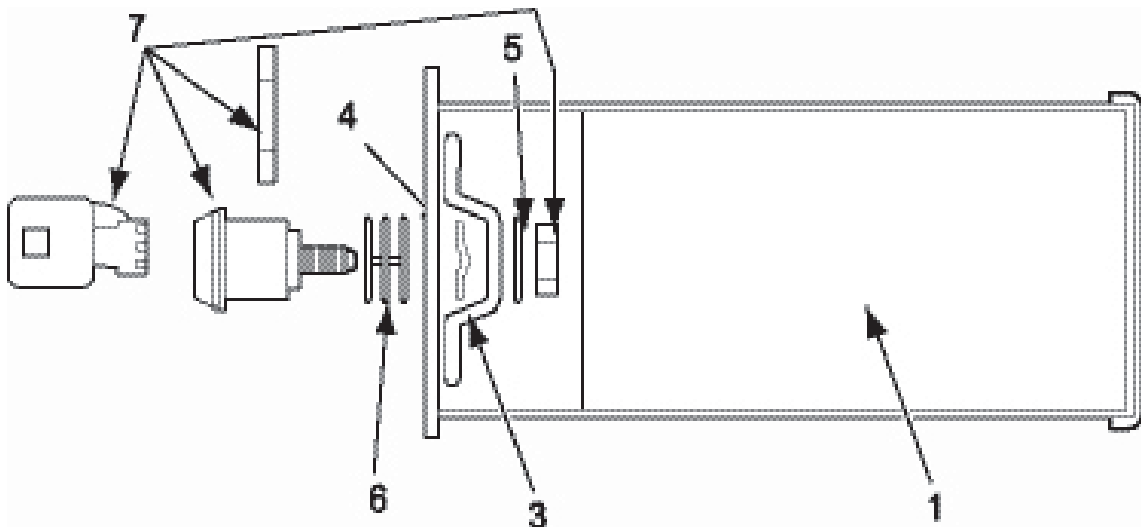


Coin Handling Group

Key	Part Number	Description	Quantity
2	9732-122-001	Kit, Coin Box and Hardware (includes 1-6).....	1
*	9942-034-002	Vault, Assembly Gray (SS front panel)	1
*	9942-034-004	Vault, Assembly Almond	1
*	9942-034-003	Vault, Assembly White	1
*	9942-038-005	Vault, Assembly Black Large Coin Box (Serial # 222035) ...	1
*	9982-338-001	Mounting Plate, Large Vault.....	1
*	9545-008-024	Screws, Large Vault Mounting.....	2
1	9807-077-007	Box Assembly, Coin	1
*	9982-338-001	Vault Plate Assembly Coin Vault Mounting.....	4
*	8640-413-004	Nut, Vault Mounting.....	4

NOTE: COIN BOX AND HARDWARE KIT AND COIN BOX LOCK NOT INCLUDED WITH MACHINE.

3	9349-033-001	Latch, Coin Box	1
4	8641-569-002	Washer, Wave	1
5	8641-583-001	Washer, Keeper	1
6	8641-581-008	Washer, Spacer- Thick	2
6	8641-581-010	Washer, Spacer- Thin	4
7	8650-012-002	Lock, Coin Box (w/key not included with 9732-122-001).....	1
8	9021-001-010	Acceptor, Coin.....	1
*	9545-053-002	Screw, Acceptor Mtg.....	4
9	9732-126-001	Switch, Coin	1
10	9119-025-002	Acceptor Chute Ass'y w/o penny ejector	1
*	9119-025-001	OPTIONAL Acceptor Chute W/ penny ejector	*



Wiring Group

Key	Part Number	Description	Quantity
*	9627-859-001	Wiring Harness- Main Power	1
*	9627-854-001	Wiring Harness- Coin	1
*	9631-403-001	Wire, Hi Voltage, Spark 38".....	2
*	8502-645-001	Label Instruction.....	1
*	9506-289--001	Wiring Label Schematic/Diagram	1
*	9627-860-001	Wire Harness Ignition Upper Low Voltage	1
*	9627-860-002	Wire Harness Ignition Lower Low Voltage	1
*	9627-863-001	Wire Harness Main Extension	1
*	9627-864-001	Wire Harness Motor Extension	2
*	8220-062-036	Wire Assembly Red/Black 14".....	1
*	8220-062-037	Wire Assembly Red/White 14".....	1
*	8220-062-038	Wire Assembly White 14".....	2
*	9627-861-001	Wire Harness - Overtemp / Airswitch	2
*	9627-862-001	Wire Harness Main Controller w/ Door Switch Wires	1
*	9627-855-003	Wire Harness - Heat Sensor	1
*	8527-112-001	Decal Lighting and Clearance.....	1
*	8502-600-001	Label Warning & Notice	2
*	9506-287-001	Schematic Label	1
*	8514-135-001	Owners Manual.....	1
*	8507-365-001	Instructions Convert Dual Voltage	1
*	8507-330-001	Instruction Transient Voltage Suppressor	1
*	8507-350-001	Instructions Dryer Install / Start	1
*	8220-137-001	Wire Assembly Green 24".....	1
*	8220-001-466	Wire Assembly Yellow 4 7/8" Gas Valve	2
*	8220-095-038	Wire Assembly Orange 48".....	2
*	9506-288-001	Wiring Diagram	1
*	8220-095-040	Wire Assembly Orange 24".....	1
*	8220-095-041	Wire Assembly Brown 24".....	1
*	9052-067-002	Bushings Wire 7/8".....	4

Section 7: Maintenance

Maintenance

Daily

1. Clean lint screen by unlocking and sliding out in their tracks for access. Use soft brush if necessary. Failure to do so will slow drying and increase gas usage and temperatures through out the dryer.
2. Check lint screen for tears. Replace if necessary.

Monthly

1. Remove lint accumulation from end bells of motor.
2. Clean lint from lint screen compartment.
3. Remove lint and dirt accumulation from top of the dryer and all areas above, and around the burners and burner housing. Failure to keep this portion of the dryer clean can lead to a buildup of lint creating a fire hazard.
4. Inspect Recirculation burner housing for excessive buildup.
5. Place a few drops of light oil on top and bottom pivots of the clothes door hinge.
6. Grease bearings and shaft of intermediate drive pulley.

Quarterly

1. Check belts for looseness, wear or fraying.
2. Inspect gasket of door glass for excessive wear.
3. Check tightness of all fasteners holding parts to support channel.
4. Check tightness of tumbler shaft retaining nut. MUST MAINTAIN 150 FOOT LBS.
5. Remove lint accumulation from primary air ports in burners.
6. Grease pivot pins and tension arms where in contact with each other.

Semiannually

1. Remove and clean main burners.
2. Remove all orifices and examine for dirt and hole obstruction.
3. Remove all lint accumulation. Remove front panel, lint screen housing and remove lint accumulation.

Annually

1. Check intermediate pulley bearings for wear.
2. Check and remove any lint accumulation from exhaust system.

NOTE: DRYER MUST NOT BE OPERATED WITHOUT LINT SCREEN IN PLACE

Section
8:
Voltage
Conversion

Instructions - Convert a Dual Voltage Stack Dryer from 120V to 208-240V with Neutral Wire Only

1. Remove incoming power from the dryer. Use a known working voltmeter to check power.
2. Remove the cover of the control box assembly from the dryer using a 5/16" wrench.
3. Move the black/blue wire from the N position of the main power terminal block to the L2 position of the main power terminal block in the control box assembly. See Figure 1 below.
4. Move the white wire of the upper motor harness to an upper inner left terminal in the middle terminal block in the control box assembly. See Figure 1 below.
5. Move the orange wire of the upper motor harness to an upper inner left terminal in the middle terminal block control box assembly. See Figure 1 below.
6. Move the white wire of the lower motor harness to a lower inner left terminal in the middle terminal block in the control box assembly. See Figure 1 below.
7. Move the orange wire of the lower motor harness to a lower inner left terminal in the middle terminal block control box assembly. See Figure 1 below.
8. Reconnect power to the dryer and test to ensure proper operation; one line voltage to L1, one line voltage to L2, the neutral to N, and the earth ground to E.
9. Reinstall the cover of the control box assembly from the dryer using a 5/16" wrench.

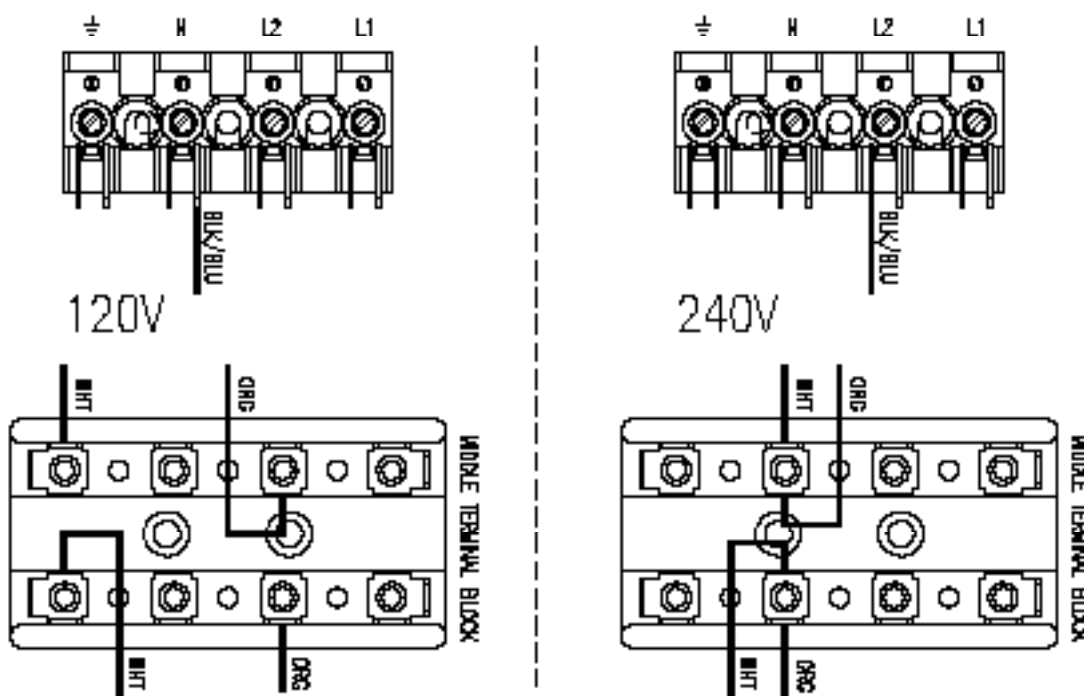
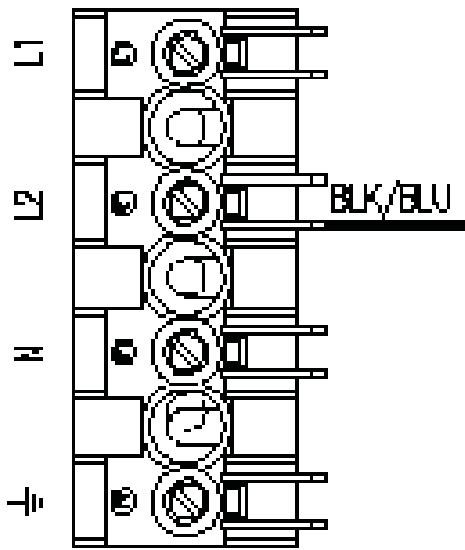
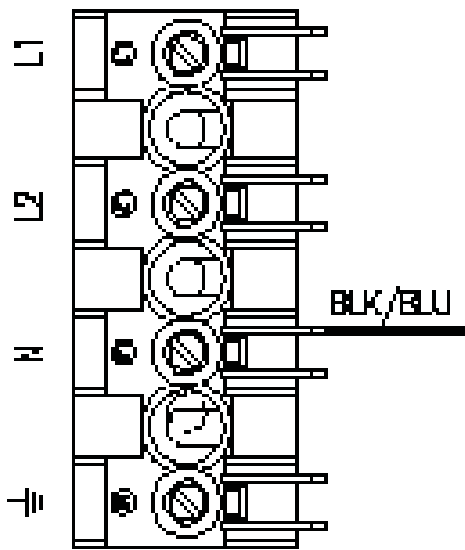
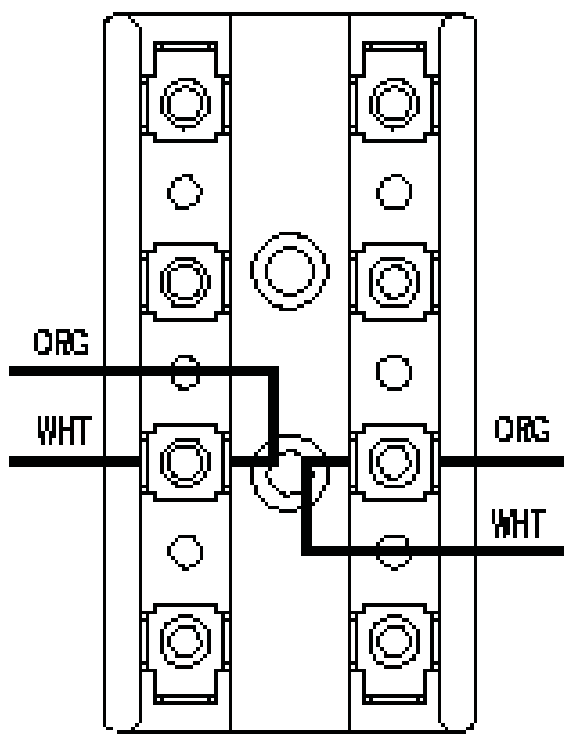


Figure 1 Dual Voltage Stack Dryer Voltage Conversion



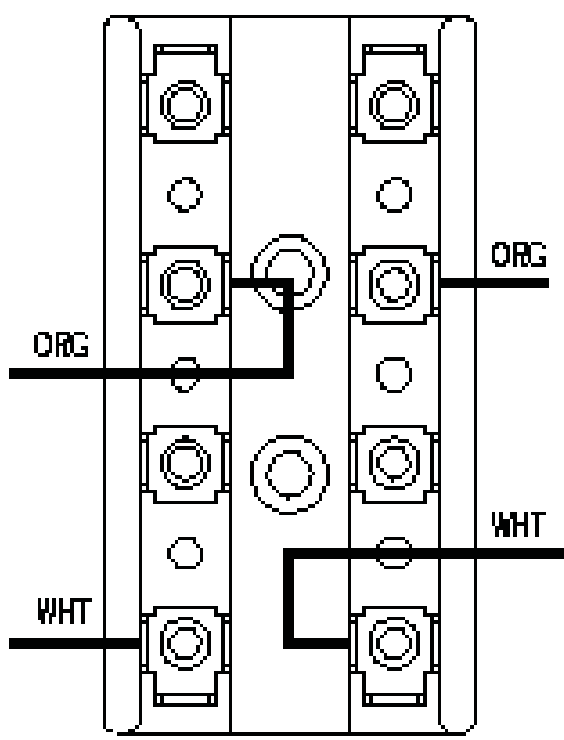
240V

MIDDLE TERMINAL BLOCK



120V

MIDDLE TERMINAL BLOCK



DUAL VOLTAGE STACK DRYER VOLTAGE CONVERSION

Section
9:
50 hZ
Models

50 Hz Specifications

Dry Weight Capacity:	13.5kg @ 2 each - 27kg total
Basket Depth:	699mm
Basket Diameter:	762mm
Basket Volume:	318 liters
Door Opening:	576mm
Overall Height (with legs):	min. 1937mm, max.
Cabinet Width:	800mm
Overall Depth:	1270mm
Door Height (floor to bottom of door):	186mm
Cylinder Rotation Direction:	CCW
Speed:	47rpm
Natural Gas Supply (water column):	4" - 10" wc
Natural Gas at Burner Manifold:	3 1/2" wc
LP Supply:	11" - 14" wc
LP Burner:	11" wc
Gas Inlet Line Size:	1/2" npt
Motor Size:	373kw

Electrical

Voltage:	220-240v/ 50hz/ 1 phase
Running Amps:	10.0
Amp Circuit Protection:	15
Wire Size:	12 guage
Electrical Service:	3 wire + ground

Weights

Shipping:	351kg
Net Weight:	311kg

Clearance behind machine for service minimums:	457mm
---	-------

50HZ Wiring Schematic Dryer Idle - No Coins Added

Top Dryer Used For This Example

230 VAC 50 HZ is supplied to the Main Power Terminal Block and passes through a In- line Noise Filter and comes out on BLK/RED and BLK/BLU wire. 230 VAC now passes to a Multitap Control Step Down Transformer and also passes to the Motor Control Relay (R1&R2). When there is power to the dryer the Computer Board will be powered and the display lighted from the 24 VAC secondary side of Control Step Down Transformer. 24 VAC from here is also on one side of the door switch on a black wire. Closing the loading door allows 24 VAC to pass on to the Computer Board on two blue wires. One blue wire makes 24 VAC available to one side of the Motor Run Relay on Computer Board. The other blue wire provides a 24 VAC signal to the Computer Board telling it that the door is closed and door light on the computer board should be illuminated.

Coins Added - Motor Starting and Running

Top Dryer Used For This Example

As each coin is added the Coin Switch closes and completes a circuit to the Computer Board. The Computer Board counts these signals and registers them against time. The time will display once the Start Button for Upper or Lower is pushed. When the Start Button is pushed again the Computer Board Motor Run Relay closes on the computer. With this Relay closed, 24 VAC is supplied to the Motor Control Relay (R1) on the red wire and also a violet wire going down to motor. The motor LED on the computer board should be illuminated anytime the computer calls for the motor to operate. With (R1) engaged and 230 VAC at motor the Motor Start Switch in motor is drawn in to the start position. In this position the incoming power 230 VAC is supplied directly to the main run winding and through the Start Capacitor to the Auxiliary Winding (start winding). As the Motor comes up to speed, the centrifical switch inside motor opens the circuit to the Start Winding and closes the circuit to allow 24 VAC to pass to the Gas Relay on the Computer Board on the other violet wire. The heat circuit in the dryer can not operate if the motor is not running. The gas LED on the computer board will be illuminated when Computer Board calls for the heat after Motor Centrifical Switch has closed.

Heat Circuit

Top Dryer Used For This Example

With the Drive Motor running and 24 VAC provided to the Computer Board Gas Relay, it will close if Computer Board senses programmed temperature is needed. The violet wire changes to an orange wire out of the Computer Board Gas Relay. When this relay closes it provides 24 VAC to the High Limit Thermostat. The High Limit Thermostat is normally closed. (It will open, turning off the heat circuit, if the dryer can't move enough air from problems such as an exhaust restriction or other problems.) 24 VAC now goes through to the normally open Air Switch (Sail Switch) on the brown wire. This switch is closed only if the dryer is running and has the correct air flow. With the dryer running and the Air Switch closed, 24 VAC is supplied to the normally closed upper manual reset Overtemp Thermostat on the gray wire and changes to the black wire out of switch and then changes to red wire and goes to the 1.5 amp in-line fuse that protects the Upper Ignition Controller (GREY BOX). With 24 VAC now supplied to the Upper Ignition Controller (GREY BOX) it will then send high voltage to the Spark Ignition Electrode via the High Voltage Lead Wire (this lead looks like an automotive spark plug wire). The Ignition Control Module (GREY BOX) simultaneously sends 24VAC to the Gas Valve Coil which open the Gas Valve and allows gas to pass through to the main burner. When ignition occurs the high voltage sparking stops and if Ignition Control Module (GREY BOX) gets a flame sense signal it will allow gas valve coil to remain energized and continue burner operation. If ignition does not occur, the Ignition Control Module (GREY BOX) will spark for 10 seconds before locking out.

Manual Reset Safety Shutoff Over-Temperature Thermostat

Top Dryer Used For This Example

This thermostat is manually reset by pushing in the red button. The Over Temperature Thermostat is a safety backup for the entire Heat Circuit and located in the recirculation chamber area on the side of the burner housing. If the dryer over heats this Over Temperature Thermostat it opens the line to turn off the heat but leaves the Computer Board lighted and the drive motor powered and turning so the basket will cool down.

Cool Down

Top Dryer Used For This Example

At the preprogrammed time (2 minutes factory setting--adjustable) the Computer Board will open the Gas Relay Contact. This allows the Drive Motor to continue to run but without heat. The gas light on the computer board should not be illuminated anytime the computer is in cool down. This Cool Down period allows the clothing (zippers, snaps, etc.) time to cool down to a temperature that is easily handled by customers.

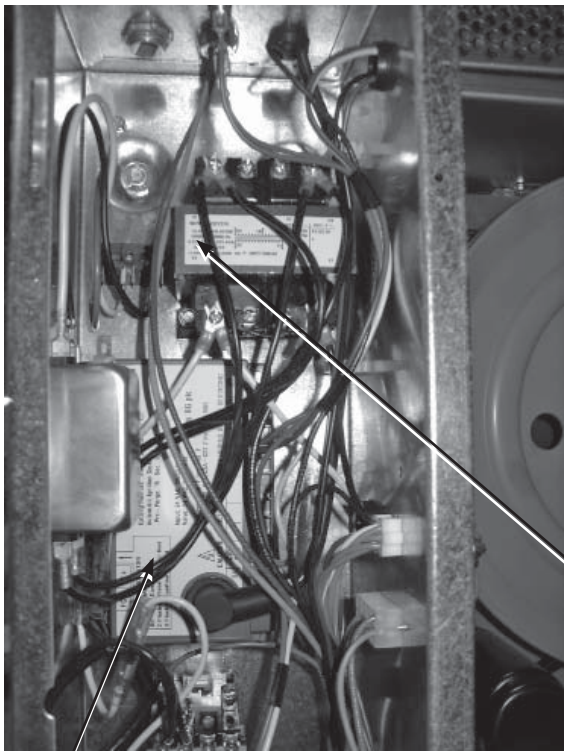
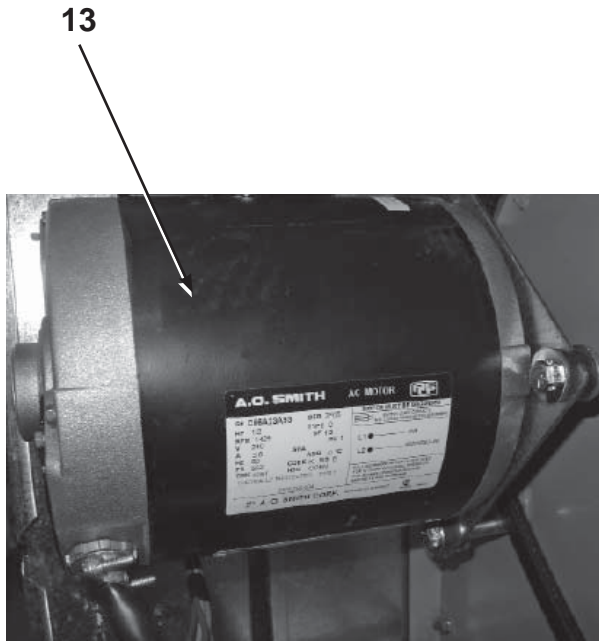
End of Cycle

Top Dryer Used For This Example

At the end of the cool down, the Computer Board opens the Upper Run Relay, which removes power from the Motor Control Relay (R1) and also removes power to the Drive Motor. The motor light on the computer board should no longer be illuminated. The Drive Motor and tumbler stops and the Computer Board display now flashes until the dryer loading door is opened. Once the dryer loading door is opened to remove the clothing the display goes back to vend price.

50 Hz Parts

Key	Part Number	Description	Quantity
7	8711-008-002	Transformer	1
8	9857-140-001	Ignition Control	2
9	9631-403-008	Wire Assembly High Voltage Upper	1
10	9631-403-009	Wire Assembly High Voltage Lower	1
11	5192-286-018	Relay Power	1
12	9183-030-002	Filter, EMI	1
13	9376-296-004	Motor	2
*	9627-867-001	Harness-Ignition Control, Upper	1
*	9627-867-002	Harness-Ignition Control, Lower	1
*	9627-864-002	Harness Motor Extension	2
*	9506-191-001	Wiring Label Schematic/Diagram	1
*	9506-190-001	Wiring Label Schematic	1
*	9506-189-001	Wiring Label Diagram	1
*	8514-136-001	Owner's Manual	1
*	8220-062-008	Wire Assy, BLK, 11"	1
*	8220-062-034	Wire Assy, Wht 11"	1
*	8220-065-006	Wire Assy, BLK/RED 11"	1
*	8220-065-007	Wire Assy, BLK/BLU 11"	2
*	8653-039-000	Connector-Wire, Inline 1/4.....	2
*	8640-276-006	Nut-Wire Connector, #72B, Blue.....	4
*	8507-230-003	Instructions, Transformer Connect.....	1

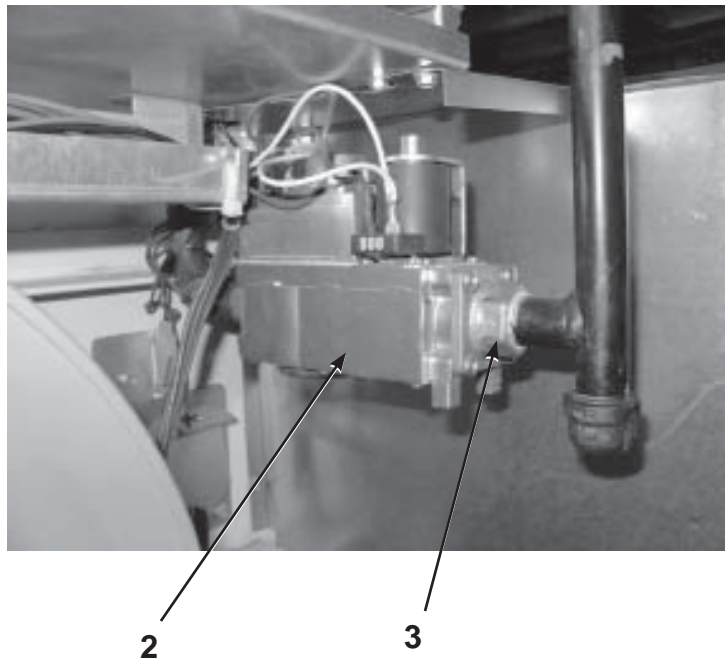


8

7

DDAD30KC_-59_ Gas Control Parts

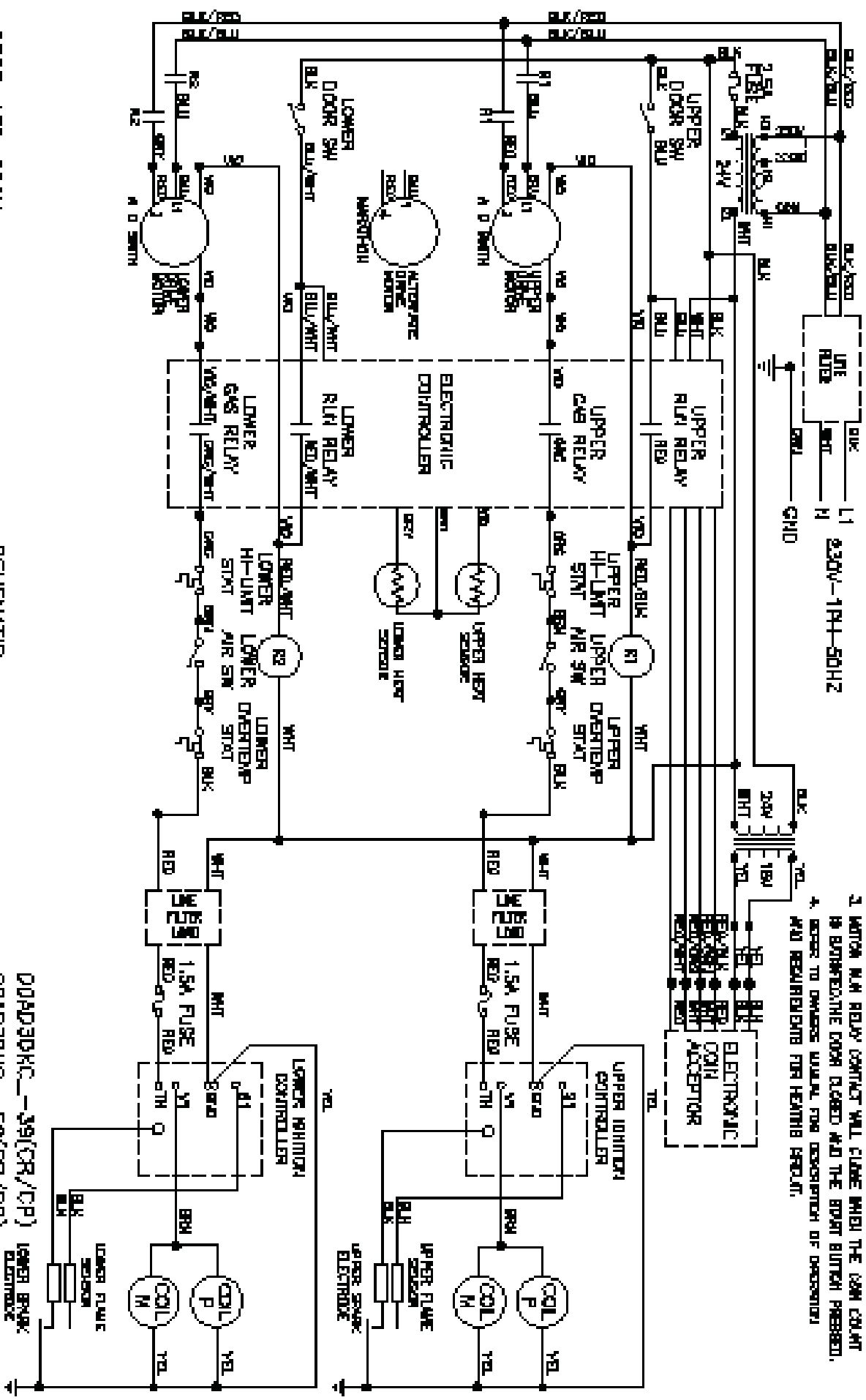
Key	Part Number	Description	Quantity
3	9732-162-001	Kit-Honeywell VR86 Valve Flange	4
*	9791-001-001	Adapter Assembly - Gas Inlit.....	1
2	9857-132-004	Gas Control Valve	2



DDAD30KC_-39_ 50Hz

Key	Part Number	Description	Quantity
*	8502-698-001	Label - Aussie Warning.....	1
*	8502-699-001	Label - AUSTGASSAPPROVALBADGE.....	1
*	8507-298-001	Instructions - Aussieaddendum.....	1
*	8514-135-001	Booklet - Owners	1
*	9866-004-009	Drawer Ass'y - Lint, up/low (AusCoin).....	1
*	9435-003-011	Overlay - Drawer Front, up/low	

SCHEMATIC



PRECAUTIONS RELIANT THIS ELECTRICAL SCHEMATIC FOR SERVICE.

- 1. ELECTRICIAN COIN ACCEPTOR-412 (USED WHEN COIN FEEDING)
- 2. DOOR SWITCHES-FULLEAGED WHEN DOOR IS CLOSED.
- 3. MOTOR RUN RELAY CONTACT WILL CLIPSE WHEN THE COIN COUNT IS BATHING,THE DOOR CLOSED AND THE BOAT BUNCH PRESSED.
- 4. REFER TO DRAWING MANUAL FOR DESCRIPTION OF OPERATOR AND REQUIREMENTS FOR HEATING SEQUENT.

00AD30KC-39(CR/CP) LOWER BRK/ELECTRODE
 00AD30KC-59(CR/CP)

